

AUTOMATED PUNCHING MACHINE

PUNCHING

TOOL

EMBOSSING

UNIT

SHORT DESCRIPTION:

Automated punching machine can punch various products from roll form of (printed) materials with min. waste. In line embossing unit makes perfect embossing pattern on the products and high quality punching tool makes precise cutting of products.



APPLICATION :

- Aluminum lid
- PET lid
- Paper lid
- Deep drawn lid
- Beer label
- In mould label
- Blow mould label
- Ice cream cone sleeve
- Induction / liner seal

CHARACTERISTIC :

Life time of punching tool:
Up to 180 million strokes

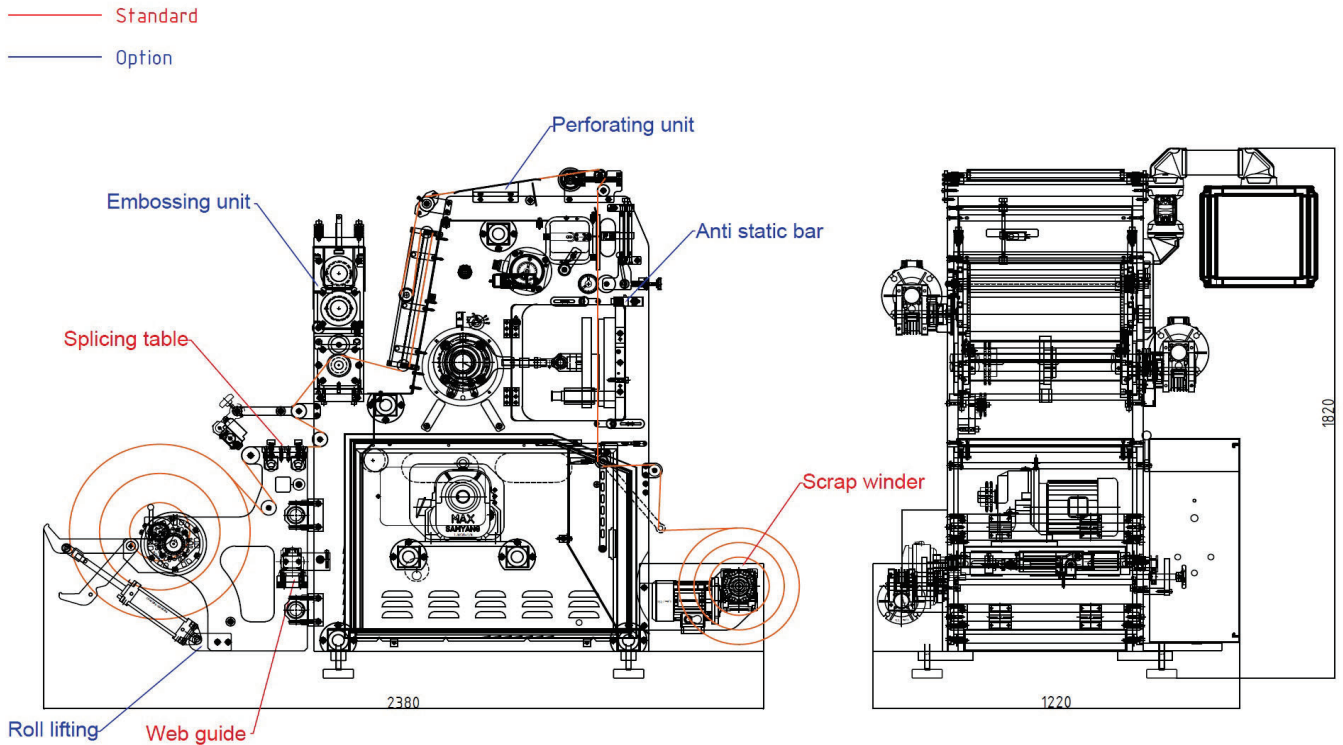
Speed of operation:
Max. 300 strokes per min.

Precise punching quality:
Min. 8 micron soft al-foil

**Semipermanent
embossing unit**

Perfect stacking system





TECHNICAL PARAMETERS:

- **Material type:** Al-foil, Plastic film(PP, PE, PET), Paper
- **Web width**
 - Al-foil, Plastic film, Induction/liner seal: Max. 700mm
 - Plastic film(IML), Paper: Max. 1,000mm
- **Thickness of materials**
 - Al-foil, Plastic film: 30 ~ 200 micron
 - Paper, Induction/liner seal: Max. 1mm
- **Max. operating speed** (depends on material condition and feeding length)
 - Al-foil, Plastic film: 250 strokes/min.
 - Paper, Induction/liner seal: 300 strokes/min.
- **Unwinder diameter:** Max. 1,000mm with 3 inches core
- **Power supply voltage:** 220V/50Hz/3phase
- **Power consumption:** 5 ~ 7kw
- **Required compressed air:** 3 bar
- **Weight:** Approx. 1,440kgs
- **Controlled by** Servo system, Contrast sensor, Powder brake, Web guide, Taper tension controller, Touch screen
- **Optional items:** Embossing unit, Anti-static bar, Perforating unit, Roll lifting



PACKERS Co., Ltd.

17, Beodeul-ro 1362, Paltan-myeon,
Hwaseong-si, Gyeonggi-do, 18578,
Korea

Tel.: +82-31-353-5961

Fax.: +82-31-624-7726

info@packers.co.kr

www.packers.co.kr